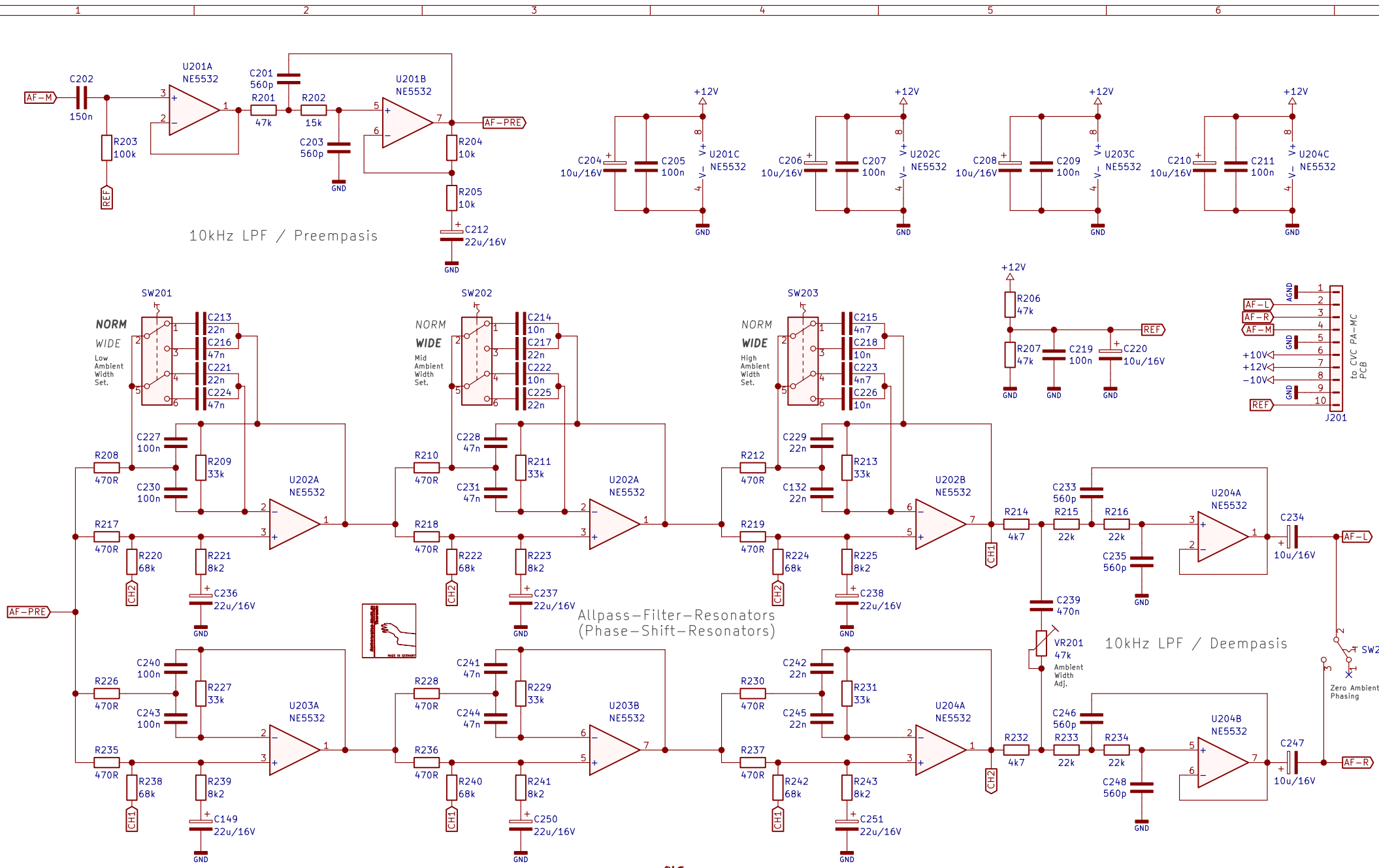


CVC Audio-PA & Muting-Control PCB
(CVC PA-MC PCB)

Title: CVC Audio-PA & Muting-Ctrl.

Aethervellen-Musik.de
MADE IN GERMANY

NOTE: Non-commercial use only! All rights reserved!	Originator: A. Klaus	Project: Rockmorizer Theremin	Date: 2023-01-02
Editor: A. Klaus	Status: DRAFT	Revision: 0.1	Sheet: 1 / 2
File: CVC_AP-MC_MAIN_09-2022.sch	Size: A4		



10kHz LPF / Preempasis

Allpass-Filter-Resonators
(Phase-Shift-Resonators)

10kHz LPF / Deempasis



Title: CVC Audio-Ambient Processor		Aetherwellen-Musik.de MADE IN GERMANY	
NOTE: Non-commercial use only! All rights reserved!			
Originator: A. Klaus	Project: Rockmorizer Theremin	Date: 2023-01-02	
Editor: A. Klaus	Status: DRAFT	Revision: 0.1	Sheet: 2 / 2
File: CVC_AP-MC_AMBI_09-2022.sch	Size: A4		