

FW Mod. RF-Circuit

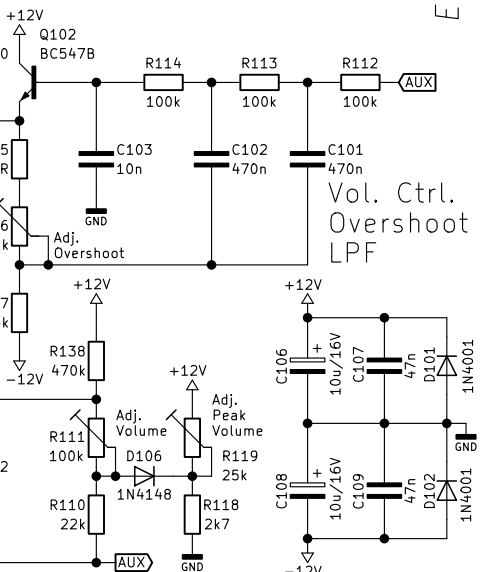
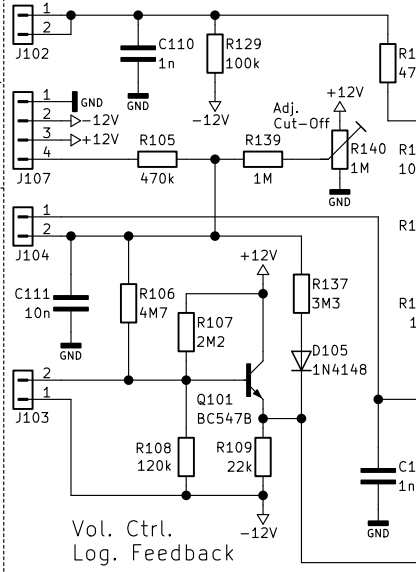
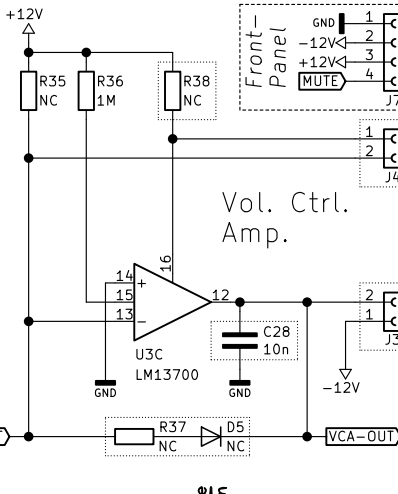
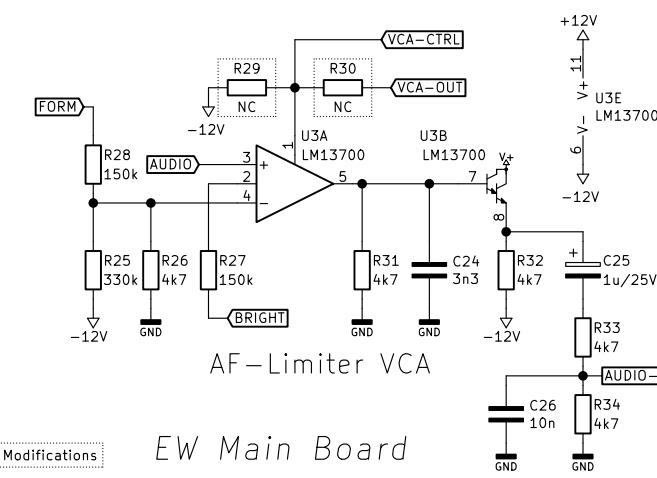
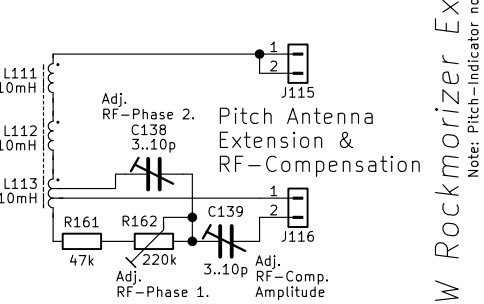
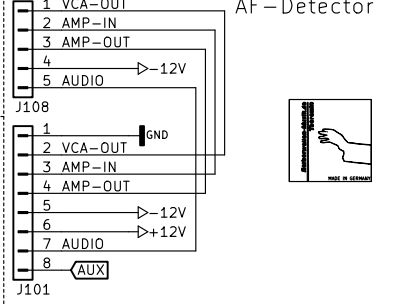
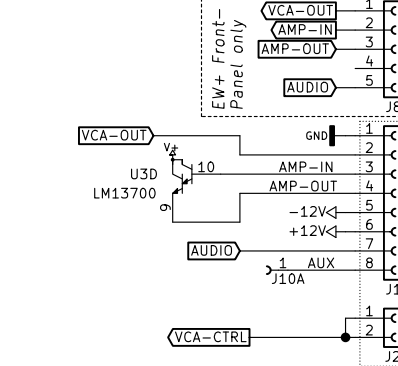
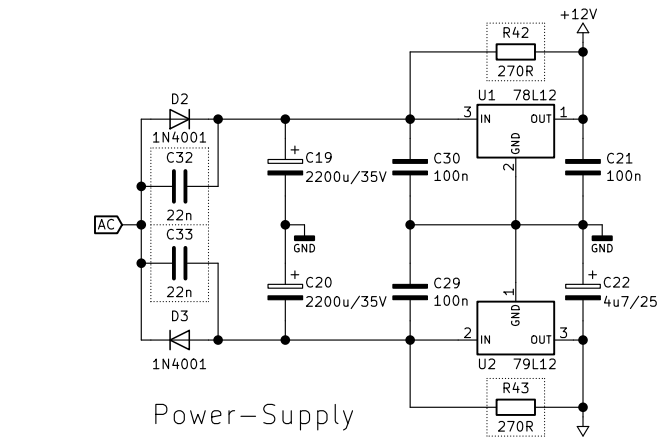
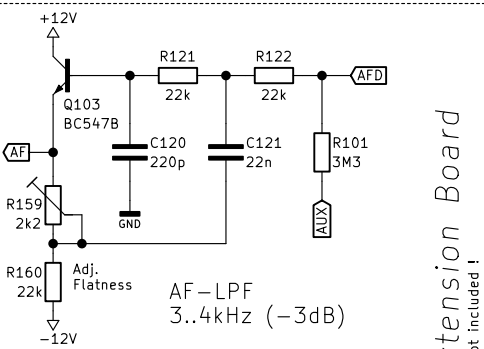
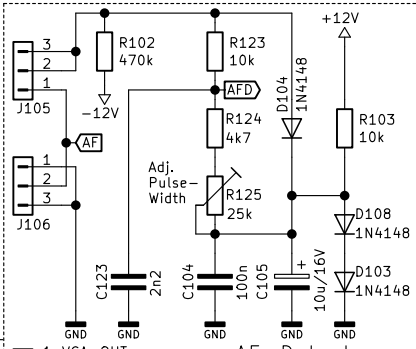
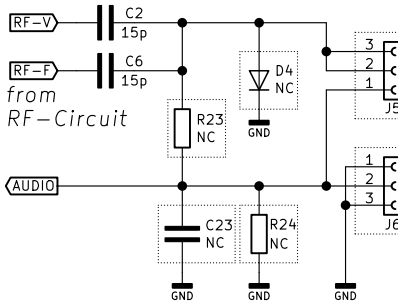
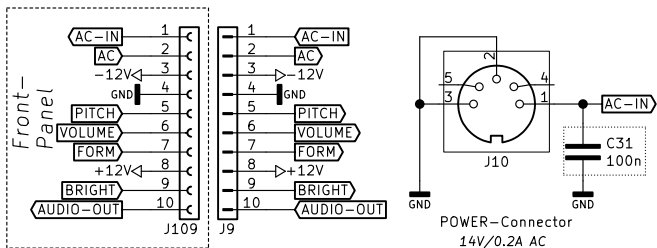
EW-MOD_06-2021_RF.sch

FW Mod. Mechanics

EW-MOD_06-2021_MECH.sch

FW Mod. Frontpanel Circuit

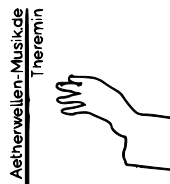
EW-MOD_06-2021_FP.sch



EW Rockmorizer Extension Board
Note: Pitch-Indicator not included!

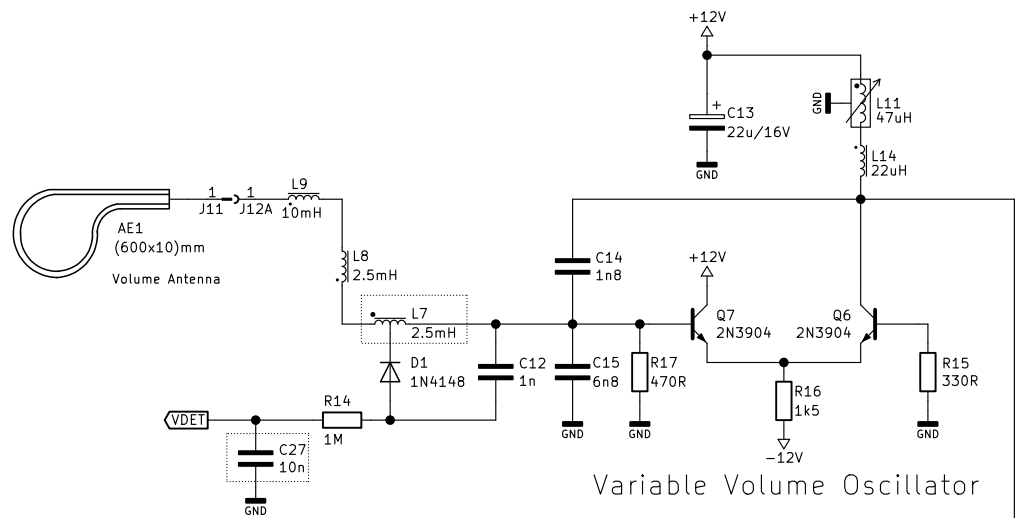
Modifications

EW Main Board



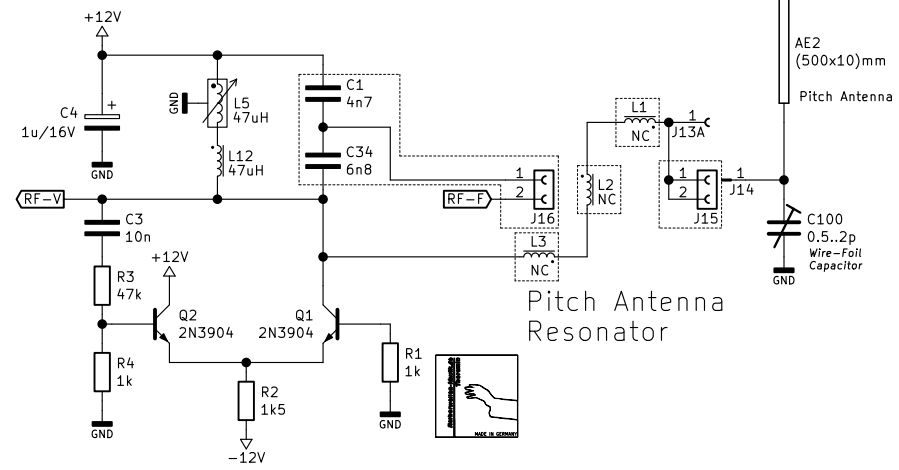
Title: EW-Mod. 06-2021 LF Circuit	
NOTE: Non-commercial use only!	
Originator: A. Klaus	Project: Rockmorizer Theremin
Editor: A. Klaus	Status: DRAFT
File: EW-MOD_06-2021.sch	Size: A4

Aetherwellen-Musik.de MADE IN GERMANY	
Date: 2022-04-23	Revision: 1.3
Sheet: 1 / 4	



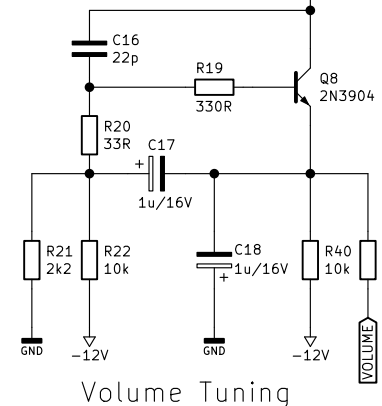
Volume Antenna Resonator/Detector

Variable Volume Oscillator

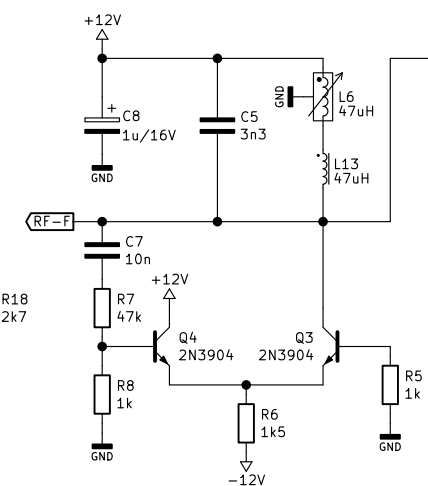


Variable Pitch Oscillator

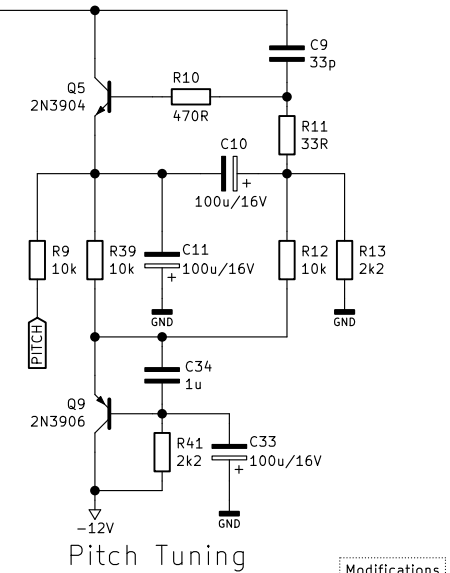
Pitch Antenna Resonator



Volume Tuning



Fixed Pitch Oscillator



Pitch Tuning

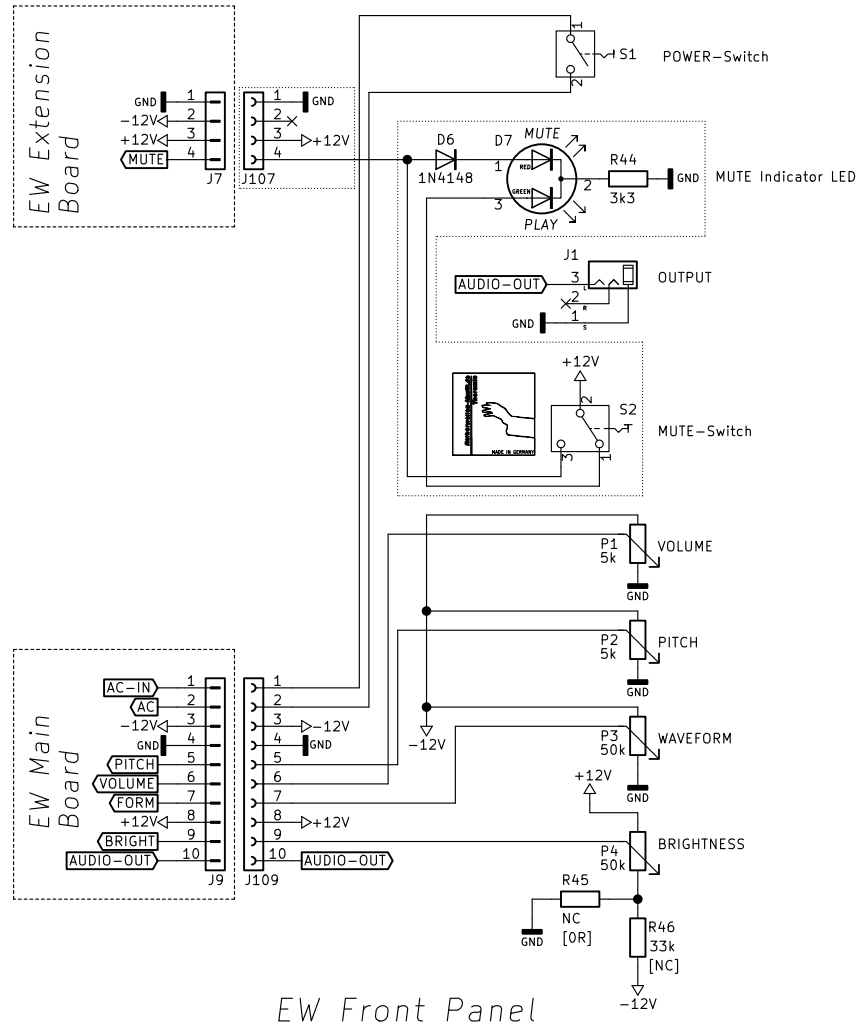
Modifications

EW Main Board

Aetherwellen-Musik.de
Theremin



Title: EW-Mod. 06-2021 RF Circuit		Aetherwellen-Musik.de MADE IN GERMANY	
NOTE: Non-commercial use only!			
Originator: A. Klaus	Project: Rockmorizer Theremin	Date: 2022-04-23	
Editor: A. Klaus	Status: DRAFT	Revision: 1.3	
File: EW-MOD_06-2021_RF.sch		Size: A4	Sheet: 2 / 4



EW Front Panel

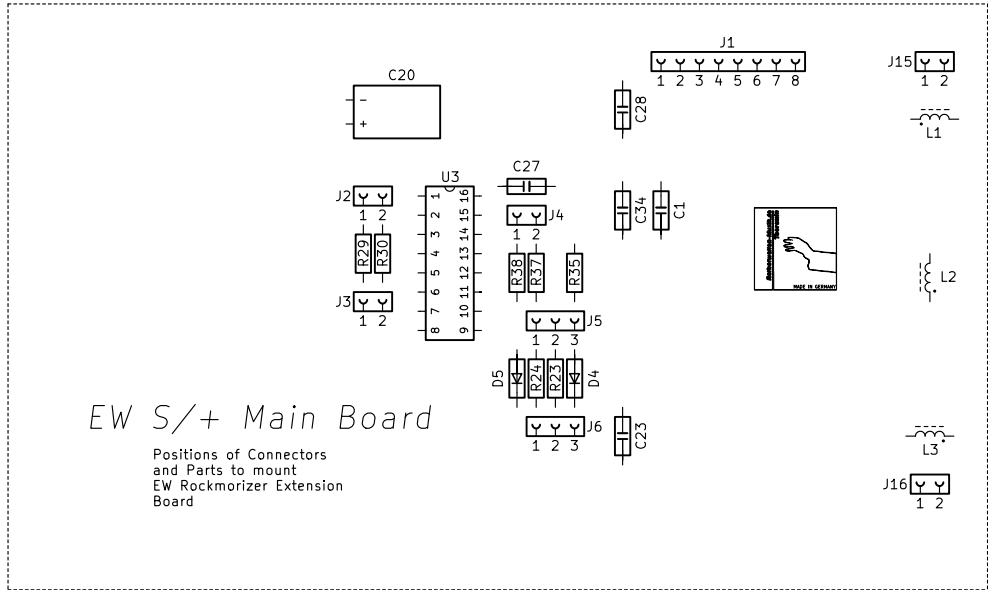
Aetherwellen-Musik.de
Theremin



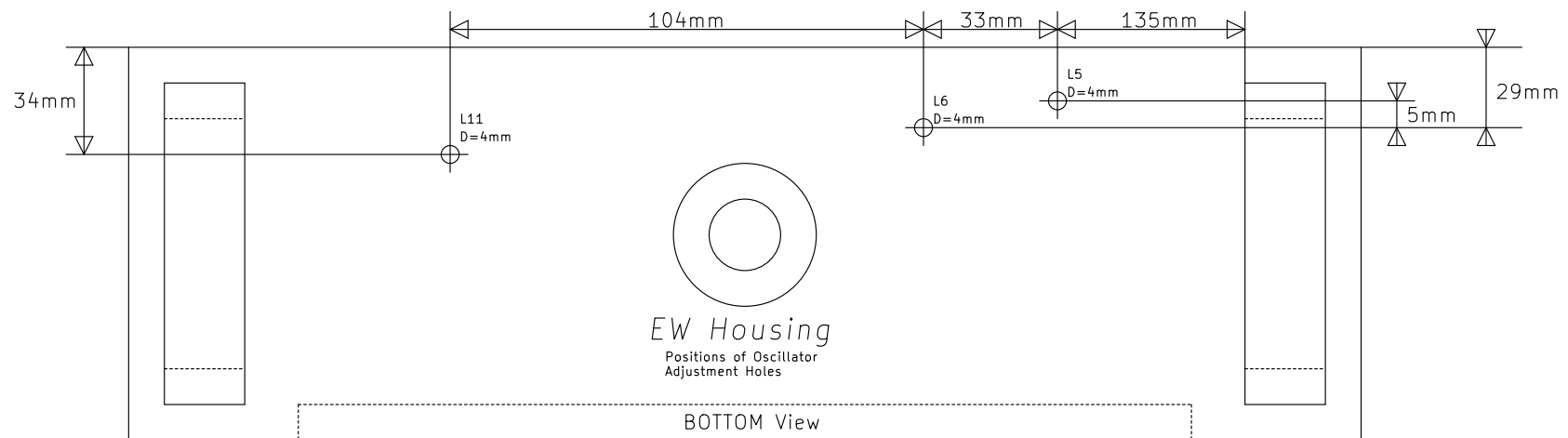
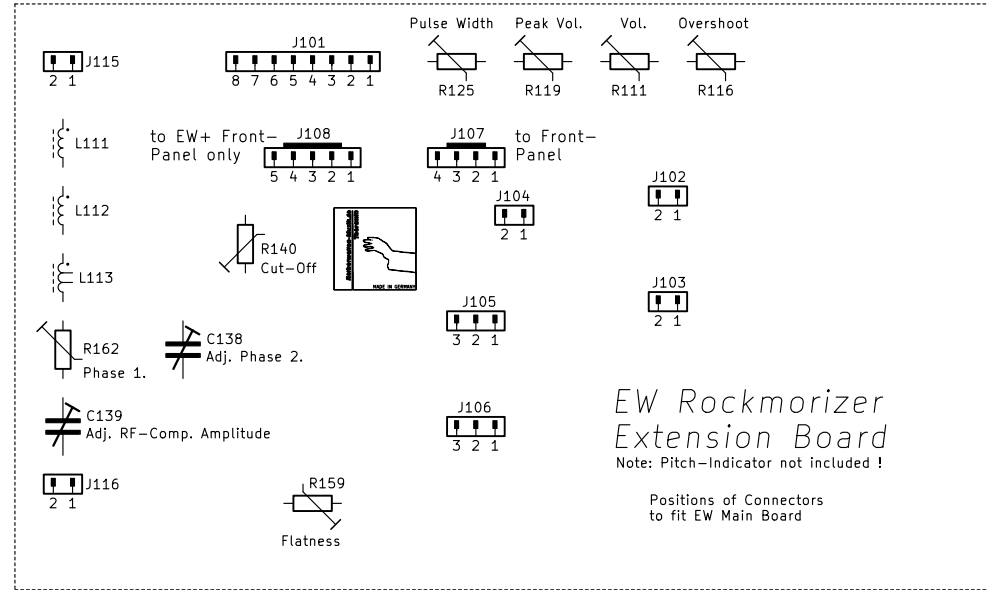
Modifications

Title: EW-Mod. 06-2021 FP Circuit		Aetherwellen-Musik.de MADE IN GERMANY	
NOTE: Non-commercial use only!			
Originator: A. Klaus	Project: Rockmorizer Theremin	Date: 2022-04-23	Sheet: 3 / 4
Editor: A. Klaus	Status: DRAFT	Revision: 1.3	
File: EW-MOD_06-2021_FP.sch	Size: A4		

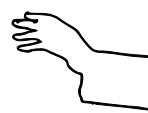
TOP View



TOP View



Aetherwellen-Musik.de
Theremin



Title: EW-Mod. 06-2021 Mechanics		Aetherwellen-Musik.de MADE IN GERMANY	
NOTE: Non-commercial use only!			
Originator: A. Klaus	Project: Rockmorizer Theremin	Date: 2022-04-23	Sheet: 4 / 4
Editor: A. Klaus	Status: DRAFT	Revision: 1.3	
File: EW-MOD_06-2021_MECH.sch	Size: A4		