

FW Mod. RF-Circuit

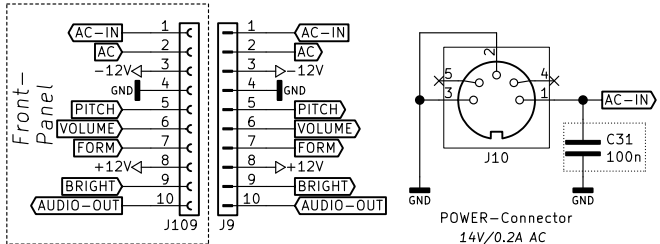
EW-MOD\_12-2020\_RF\_SCH.sch

FW Mod. Mechanics

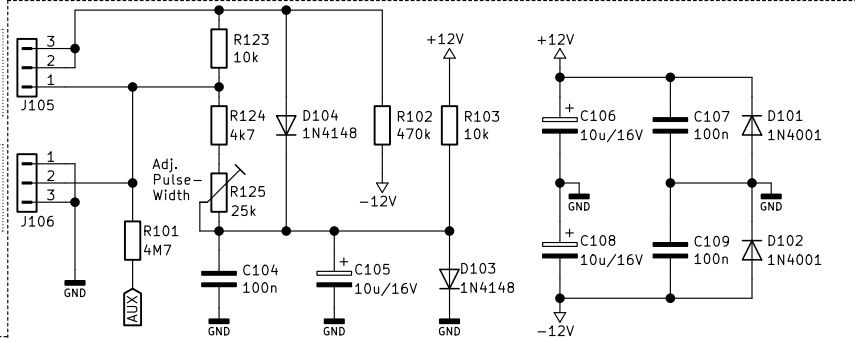
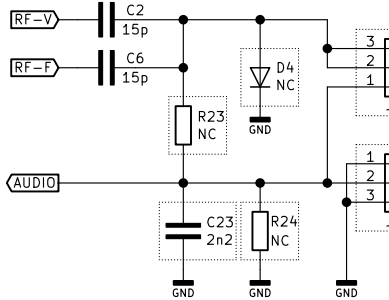
EW-MOD\_12-2020\_MECH\_SCH.sch

FW Mod. Frontpanel Circuit

EW-MOD\_12-2020\_FP\_SCH.sch

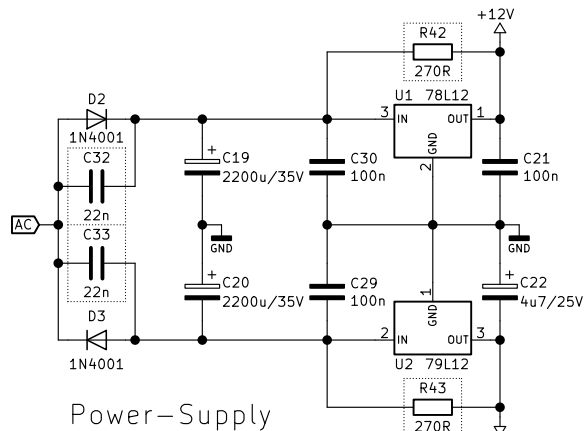
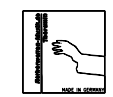
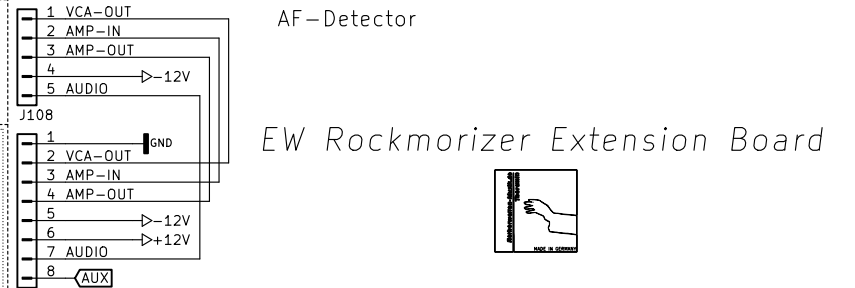
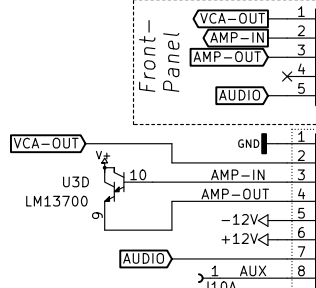


from RF-Circuit

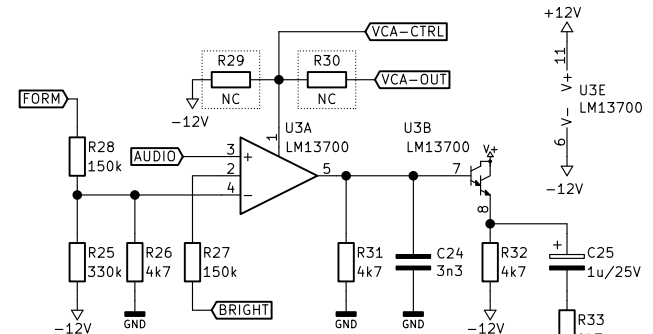


AF-Detector

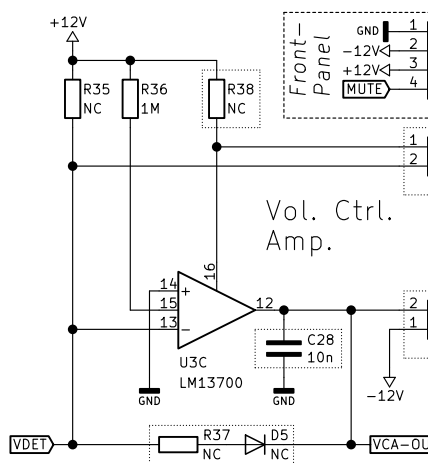
EW Rockmorizer Extension Board



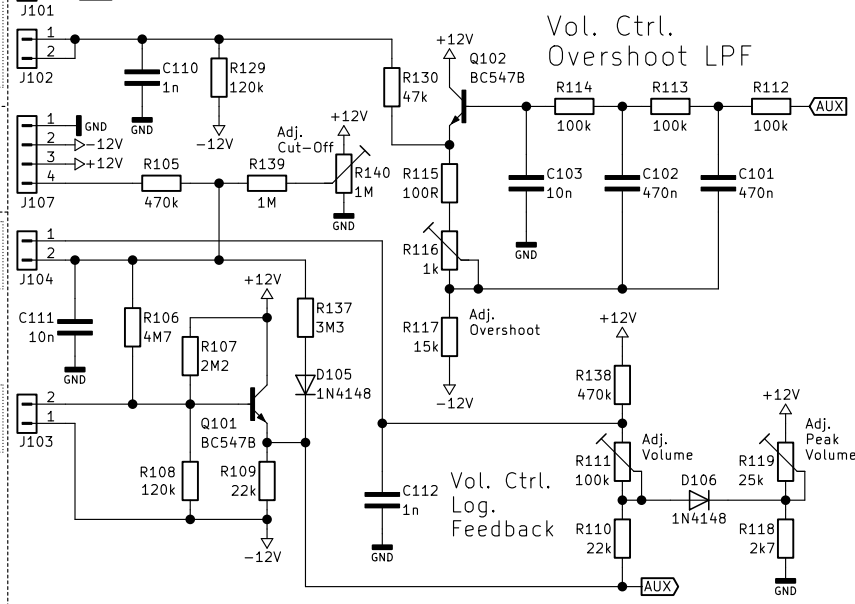
Power-Supply



AF-Limiter VCA



Vol. Ctrl. Amp.



Vol. Ctrl. Overshoot LPF

Vol. Ctrl. Log. Feedback

Adj. Peak Volume

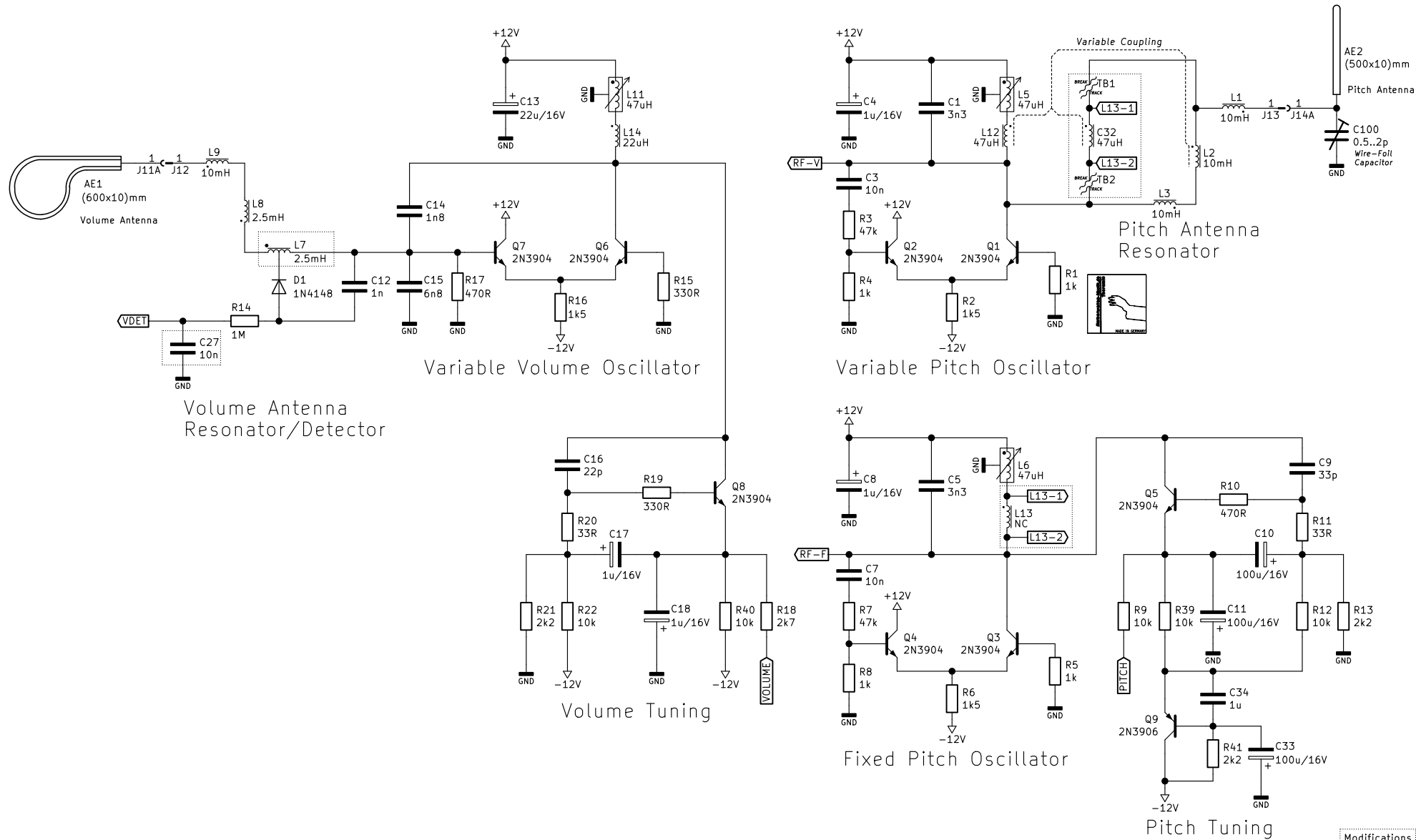
Modifications

EW Main Board

Aetherwellen-Musik.de  
Theremin



Title: EW-Mod. 12-2020 LF Circuit		Aetherwellen-Musik.de MADE IN GERMANY	
NOTE: Non-commercial use only!			
Originator: A. Klaus	Project: Rockmorizer Theremin	Date: 2022-04-23	
Editor: A. Klaus	Status: RELEASE	Revision: 1.2	
File: EW-MOD_12-2020_SCH.sch		Size: A4	Sheet: 1 / 4



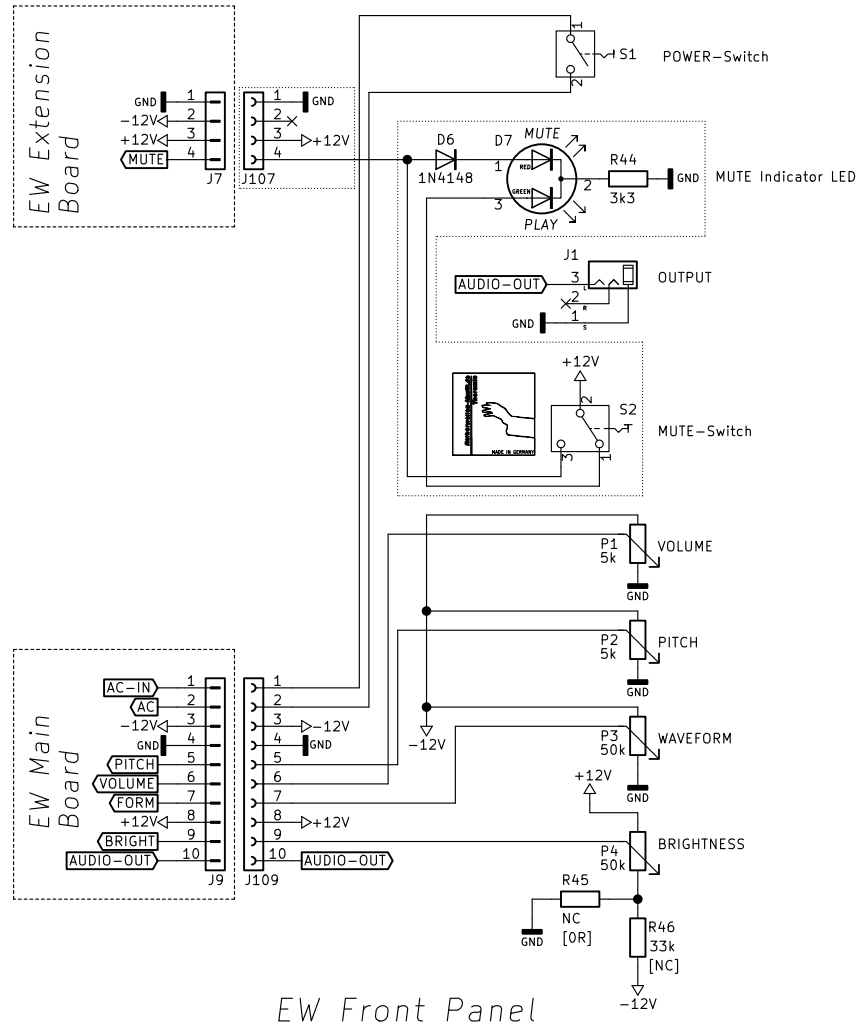
EW Main Board

Aetherwellen-Musik.de  
Theremin



Title: EW-Mod. 12-2020 RF Circuit		Aetherwellen-Musik.de MADE IN GERMANY	
NOTE: Non-commercial use only!			
Originator: A. Klaus	Project: Rockmorizer Theremin	Date: 2022-04-23	
Editor: A. Klaus	Status: RELEASE	Revision: 1.2	
File: EW-MOD_12-2020_RF_SCH.sch		Size: A4	Sheet: 2 / 4

Modifications



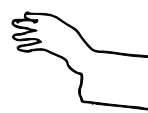
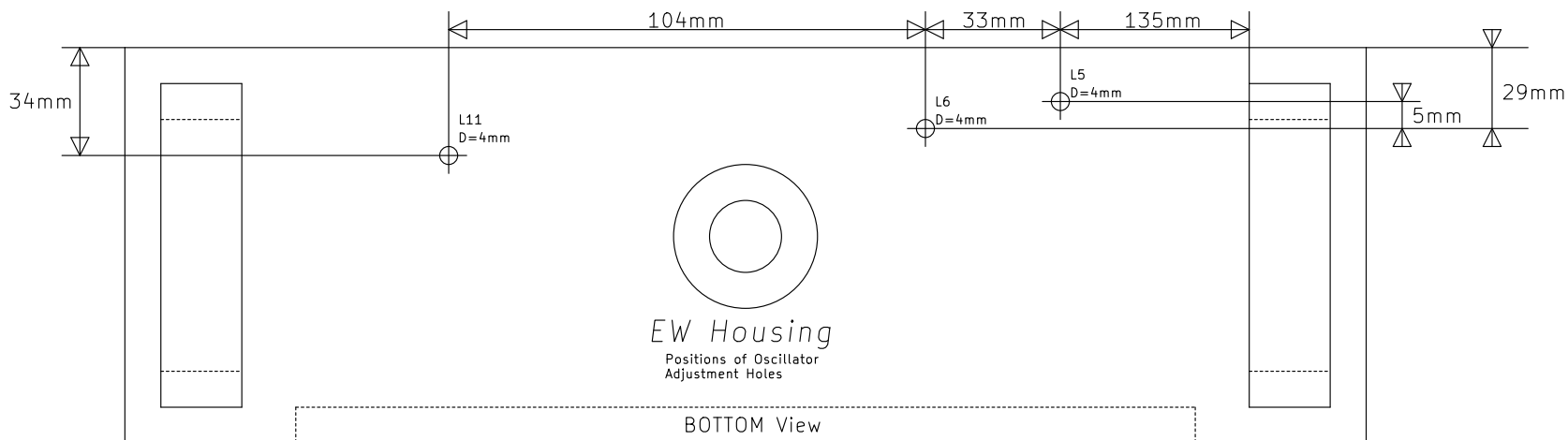
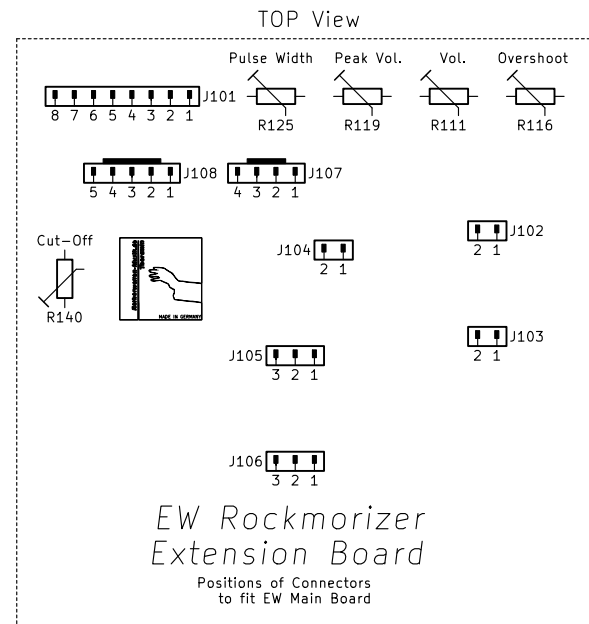
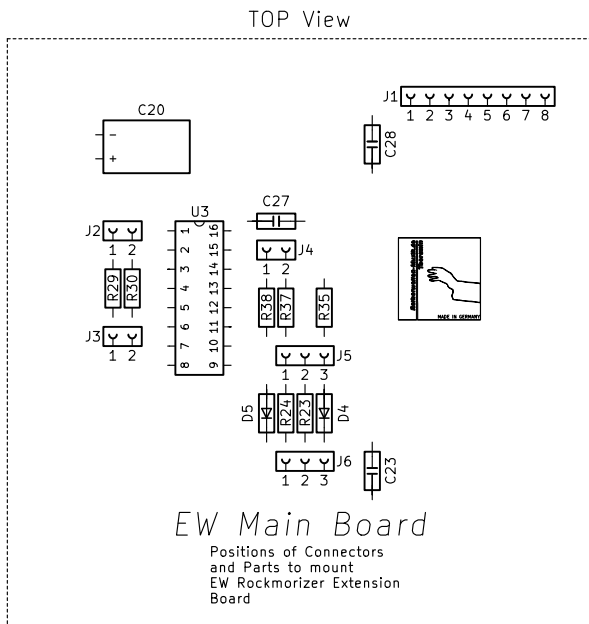
EW Front Panel

Aetherwellen-Musik.de  
Theremin



Modifications

Title: EW-Mod. 12-2020 FP Circuit		Aetherwellen-Musik.de MADE IN GERMANY	
NOTE: Non-commercial use only!			
Originator: A. Klaus	Project: Rockmorizer Theremin	Date: 2022-04-23	Sheet: 3 / 4
Editor: A. Klaus	Status: RELEASE	Revision: 1.2	
File: EW-MOD_12-2020_FP_SCH.sch	Size: A4		



Title: EW-Mod. 12-2020 Mechanics		<b>Aetherwellen-Musik.de</b> <small>MADE IN GERMANY</small>	
NOTE: Non-commercial use only!			
Originator: A. Klaus	Project: Rockmorizer Theremin	Date: 2022-04-23	
Editor: A. Klaus	Status: RELEASE	Revision: 1.2	
File: EW-MOD_12-2020_MECH_SCH.sch	Size: A4	Sheet: 4 / 4	