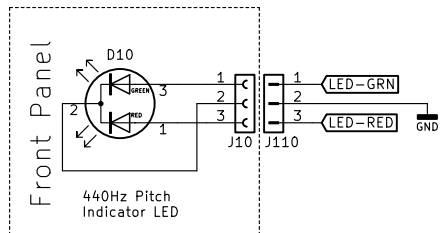
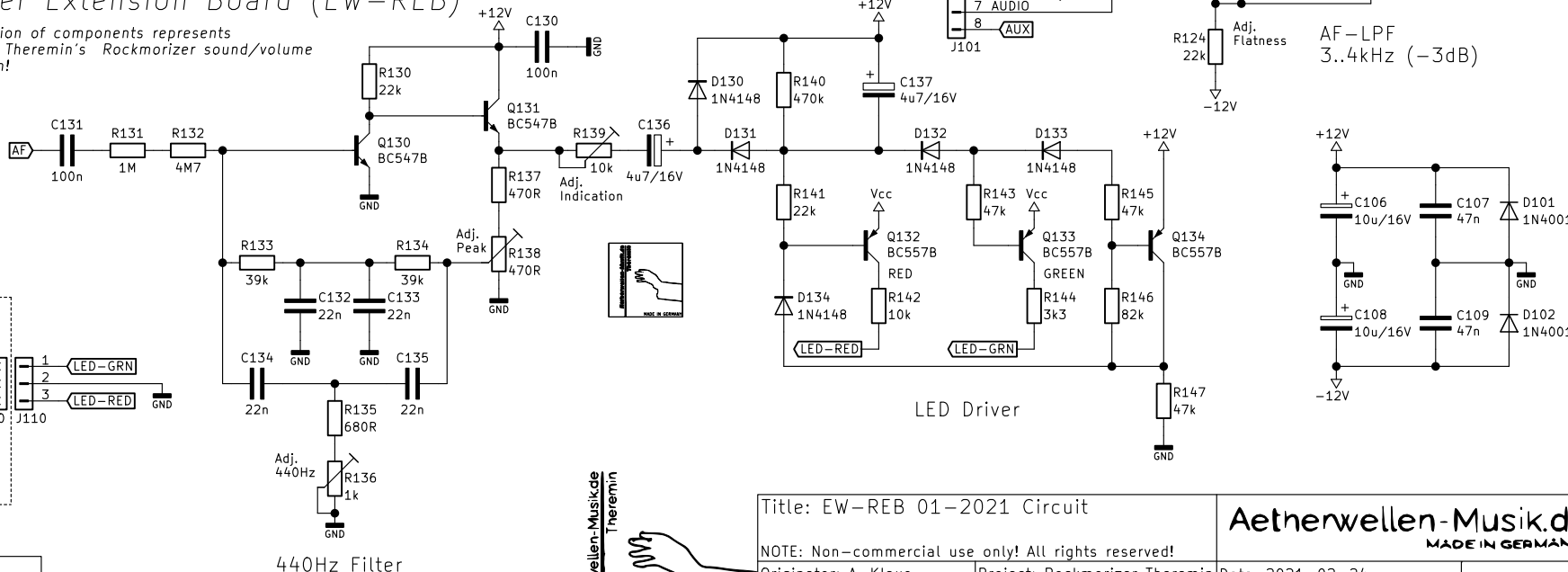


### EW Rockmorizer Extension Board (EW-REB)



This population of components represents the EW S/+ Theremin's Rockmorizer sound/volume configuration!

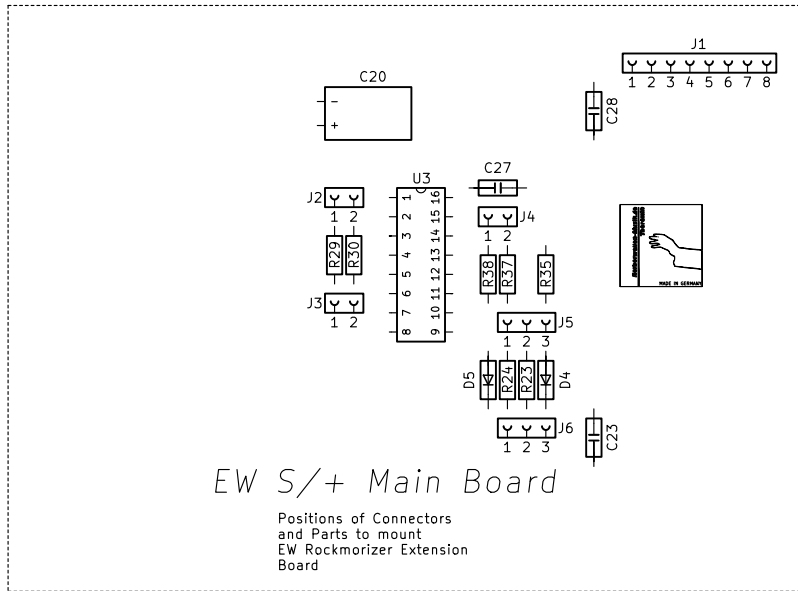


EW-REB Mechanics  
EW-REB\_01-2021\_MECH\_SCH.sch

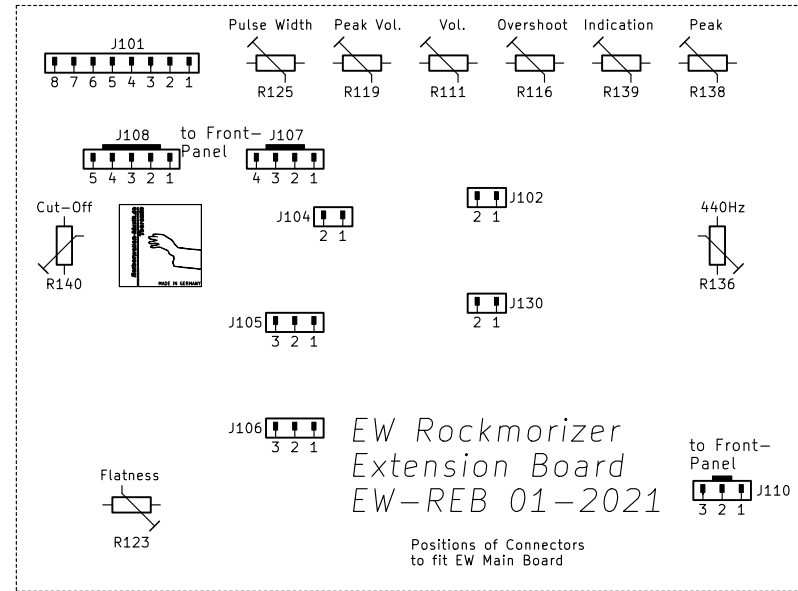


Title: EW-REB 01-2021 Circuit		Aetherwellen-Musik.de MADE IN GERMANY	
NOTE: Non-commercial use only! All rights reserved!			
Originator: A. Klaus	Project: Rockmorizer Theremin	Date: 2021-02-24	
Editor: A. Klaus	Status: DRAFT	Revision: 0.2	
File: EW-REB_01-2021_SCH.sch		Size: A4	Sheet: 1 / 2

TOP View



TOP View



Title: EW-REB 01-2021 Mechanics		<b>Aetherwellen-Musik.de</b> <small>MADE IN GERMANY</small>	
NOTE: Non-commercial use only! All rights reserved!			
Originator: A. Klaus	Project: Rockmorizer Theremin	Date: 2021-02-24	Sheet: 2 / 2
Editor: A. Klaus	Status: DRAFT	Revision: 0.2	
File: EW-REB_01-2021_MECH_SCH.sch		Size: A4	