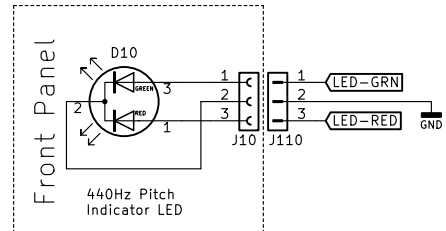
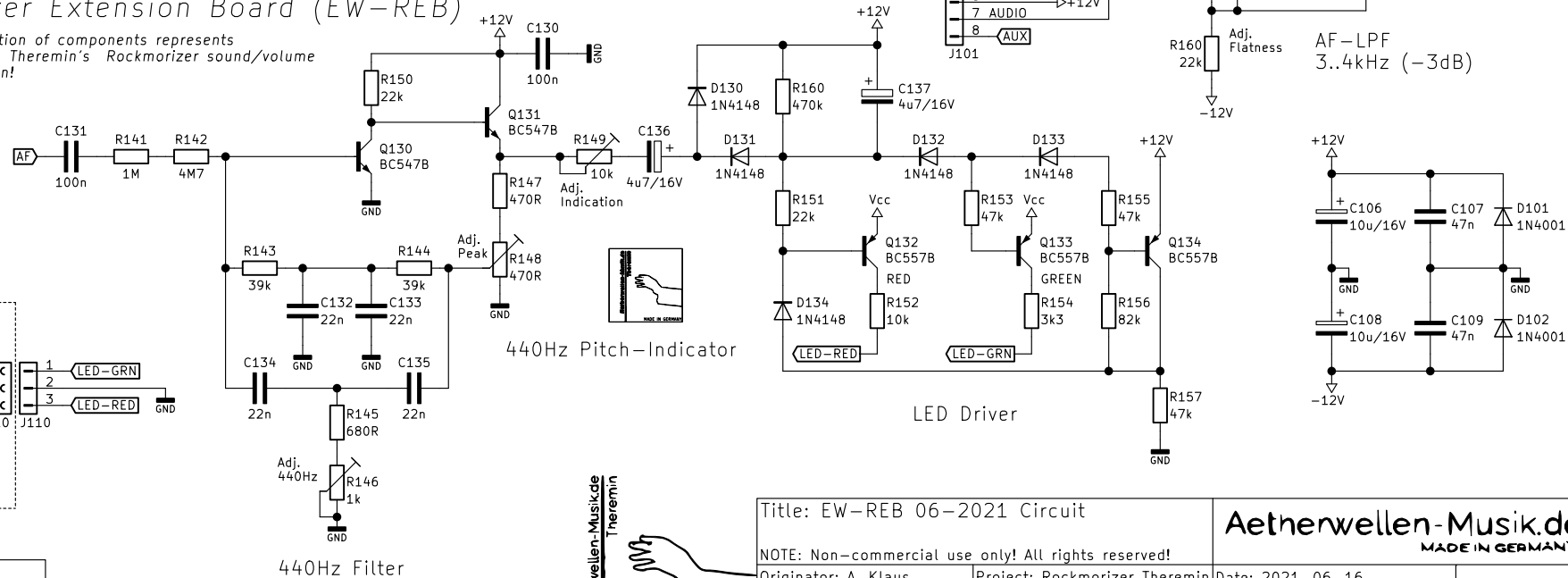


Pitch Antenna Extension & RF-Compensation

EW Rockmorizer Extension Board (EW-REB)



This population of components represents the EW S/+ Theremin's Rockmorizer sound/volume configuration!

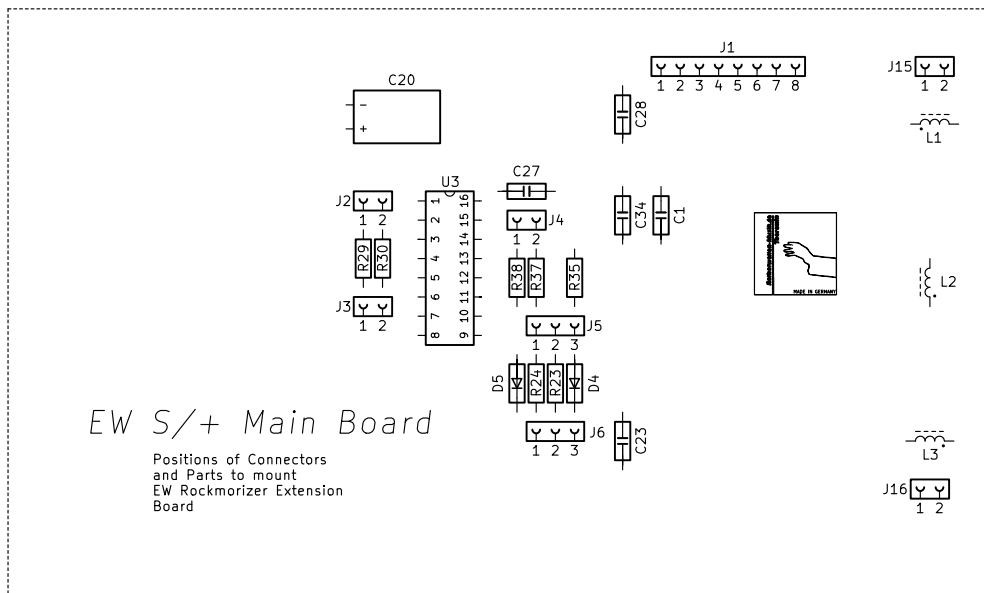


EW-REB Mechanics
EW-REB_06-2021_MECH.sch

Title: EW-REB_06-2021 Circuit		Aetherwellen-Musik.de MADE IN GERMANY	
NOTE: Non-commercial use only! All rights reserved!			
Originator: A. Klaus	Project: Rockmorizer Theremin	Date: 2021-06-16	
Editor: A. Klaus	Status: DRAFT	Revision: 0.3	
File: EW-REB_06-2021.sch	Size: A4	Sheet: 1 / 2	



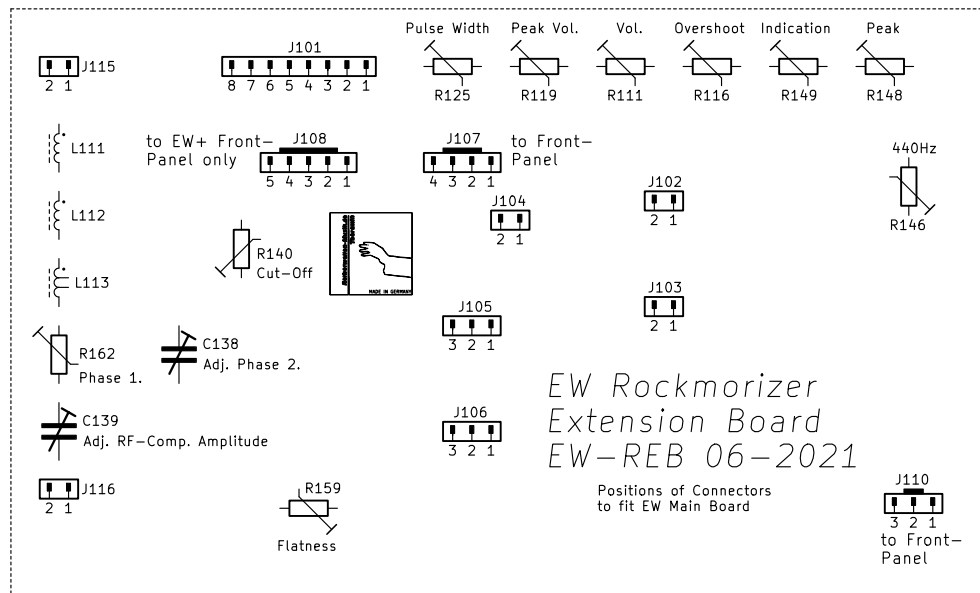
TOP View



EW S/+ Main Board

Positions of Connectors
and Parts to mount
EW Rockmorizer Extension
Board

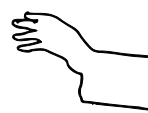
TOP View



*EW Rockmorizer
Extension Board
EW-REB_06-2021*

Positions of Connectors
to fit EW Main Board

Aetherwellen-Musik.de
Theremin



Title: EW-REB_06-2021 Mechanics		Aetherwellen-Musik.de MADE IN GERMANY	
NOTE: Non-commercial use only! All rights reserved!			
Originator: A. Klaus	Project: Rockmorizer Theremin	Date: 2021-06-16	Sheet: 2 / 2
Editor: A. Klaus	Status: DRAFT	Revision: 0.3	
File: EW-REB_06-2021_MECH.sch		Size: A4	